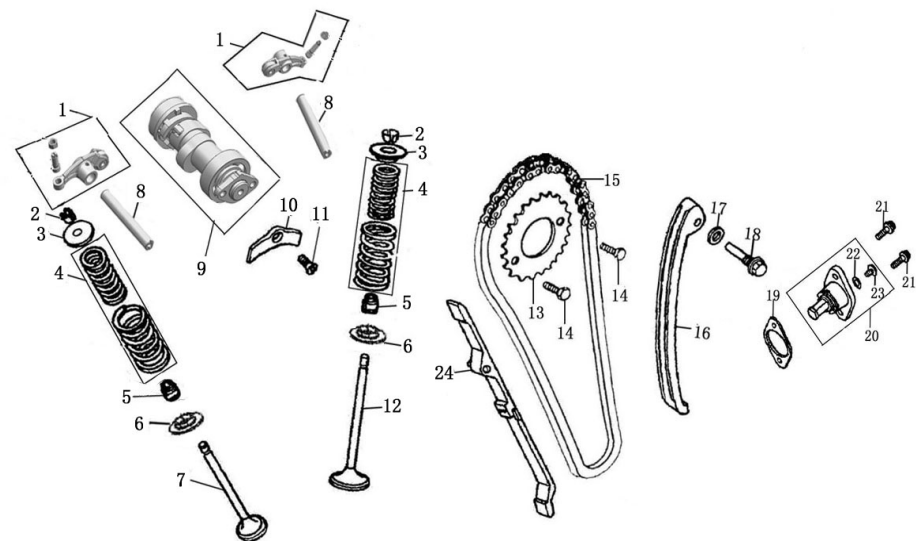




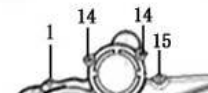
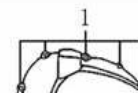
1	100050892	CPS250气门摇臂组合	Rocker Arm Assembly Valve	2	
2	100051841	CB125脚气门锁夹(改进型)	Valve Locker	4	
3	100105311	CPS200气门弹簧座(上)	SpRing, Seat	2	
4	100200728	CPS200气门内外弹簧组合	Inner SpRing, Assy	2	
5	100105336	CG125D挡油罩组合	Seal Valve Stem	2	
6	100053432	ZY150水冷气门弹簧座圈(下)	Outer Valve SpRing, Retainer	2	
7	100105283	CPS200排气门	Exhaust Valve	1	
8	100105152	CPS250气门摇臂轴	Rocker Shaft	2	
9	100104967	CPS250凸轮轴部件	Gamp Shaft Comp	1	
10	100102810	CPS250摇臂轴定位板	Position Plate Rocker Shaft	1	
11	100011173-0003	GB5783螺栓M6×16(兰白锌)	Bolt, M6×16	1	
12	100105271	CPS200进气门	Intake Valve	1	
13	100105063	CPS250正时从动链轮	Timing Driven Sprocket	1	
14	100011171-0002	GB5783螺栓M6×12(兰白锌)	Bolt, M6×12	2	
15	100105129	CB250D-G正时链条组合(7×104, 齿形链)	Sproket Chain	1	
16	100200483	CBS300链条张紧板组合	Tension Plate Assy	1	
17	100106544	平垫圈(φ8×1.5×φ14)	Washer, φ8×1.5×φ14	1	
18	100100363-0007	CB125脚张紧条芯轴螺栓(兰白锌)	Bolt	1	
19	100104605	CB125D张紧器密封垫	Gasket Tensioner	1	
20	100108552-0011	CB125D张紧器组合(带螺栓, 带密封圈, 8806)	Chain Tensioning Wheel	1	
21	100010837-0002	GB70.1螺栓M6×16(兰白锌)	Bolt, M6×16	2	
22	100107848	O型圈(φ9×1.8, 氟硅胶)	O-RING 9×1.8	1	
23	100108598-0001	CB125Z张紧器密封螺栓M6×6(白铬)	BOLT M6×6	1	
24	100105225	CB200-C链条导向板组合	Guide Plate Chain	1	
25					
26					
27					
28					
29					
30					
31					
32					
33					
34					
35					
36					
37					
38					
39					
40					
41					
42					
43					
44					



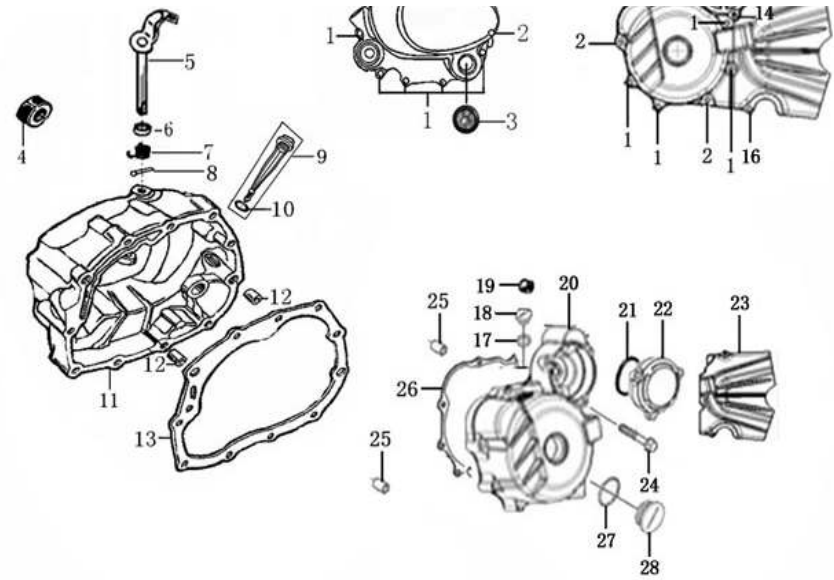
配气机构 VALVE MECHANISM

### 曲轴箱盖 CRANKCASE COVER

序号 NO.	编码 (PART CODE)	中文名称 (CHINESE DESCRIPTION)	英文名称 (ENGLISH DESCRIPTION)	数量 QTY	备注 REMARK
1	100011538-0003	GB16674小盘螺栓M6×40(兰白锌)	BOLT M6×40	15	
2	100011540-0007	GB16674小盘螺栓M6×50(兰白锌)	BOLT M6×50	3	
3	100101319	CG125D机油观察窗	OIL LEVEL SIGHT WINDOW	1	
4	100104733	CB125脚启动轴油封(16×28×7, 丁腈胶)	OIL SEAL 16×28×7	1	
5	100203152-0005	CB125脚离合器操纵臂组合(3#, 油封密封, 兰白锌)	Controlling Arm Assembly Clutch	1	



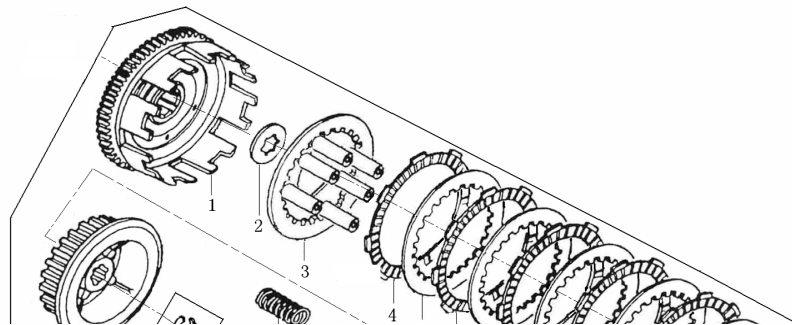
6	100104754	CB125脚离合器操纵臂油封(12×22×5)	OIL SEAL 12×22×5	1
7	100103443	CB125脚离合器操纵臂弹簧	Clutch Controlling Arm Spring	1
8	100100636-0001	CB125脚操纵臂卡销(发黑)	CLUTCH LEVER PIN	1
9	100104887	CB125脚机油尺组合(整体式 白板 本色)	OIL RULER ASSY	1
10	100031573	0型圈(φ18×3_丁腈胶)	O-RING 18×3	1
11	100104101-0007	CG125D右盖组合(鲑鱼款-3# 电感式 CB_油封_ZONGSHEN_8805)	Cover Comp Right Crankcase	
12	100100868	定位销φ8×14×φ6.3	PIN 8×14×6.3	2
13	100104571	CG125D右曲轴箱盖密封垫	Gasket R. Crankcase Cover	1
14	100055588-0006	GB16674小盘螺栓M6×20(兰白锌)	Bolt, M6×20	3
15	100055587-0006	GB16674小盘螺栓M6×28(兰白锌)	BOLT M6×28	1
16	100031957-0007	GB16674小盘螺栓M6×32(兰白锌)	BOLT M6×32	1
17	100010072	0型密封圈(φ13.2×1.8_丁腈胶)	O-RING 13.2×1.8	1
18	100103059-0025	C100小视孔盖(8805)	CAP, SMALL VIEW HOLE	1
19	100101202	CG125D含油轴承(铁基)	BEARING	1
20	100102796-0007	CB250水冷四气门左盖(啸风款 白板 8805)	FRONT PART, L. CRANKCASE COVER	1
21	100107808	0型圈(φ62×3_丁腈胶)	O-RING 62×3	1
22	100100005-0019	CG125D双联齿轮盖(威风款 白板 8805)	COVER, REDUCTION GEAR	1
23	100103123-0009	CB250水冷四气门左后盖(CB250水冷四气门-啸风-1# 8805)	BACK PART, L. CRANKCASE COVER	1
24	100011534-0002	GB16674小盘螺栓M6×25(兰白锌)	BOLT M6×25	1
25	100010557	定位销φ10×14	PIN 10×14	2
26	100104546	CG125D左曲轴箱前盖密封垫	GASKET, L. CRANKCASE COVER	1
27	100107731	0型圈(φ27.4×2.65_丁腈胶)	O-RING 27.4×2.65	1
28	100103062-0024	C100大视孔盖(8805)	CAP, BIG VIEW HOLE	1
29				
30				
31				
32				
33				
34				
35				
36				
37				
38				
39				



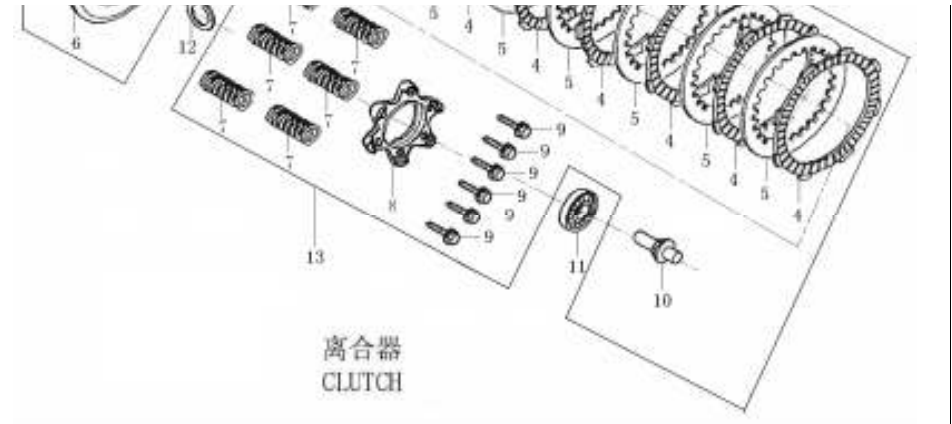
曲轴箱盖 CRANKCASE COVER

## 离合器总成 CLUTCH ASSY

序号 NO.	编码 (PART CODE)	中文名称 (CHINESE DESCRIPTION)	英文名称 (ENGLISH DESCRIPTION)	数量 QTY	备注 REMARK
1	100203002	CG200-A水冷离合器外罩组合(3#)	Out Case Assembly Clutch	1	
2	100103341	CB125脚离合器花键垫圈	Washer	1	
3	100050125	CG200-A水冷离合器压盘	Pressure Plate Clutch	1	
4	100050121	CG200-A水冷离合器主动摩擦片	Drive Friction Disk	7	
5	100103422	CG150D离合器从动摩擦片(六柱)	Outer Friction Disk A	6	
6	100050124	CG200-A水冷离合器中心套(3#)	Center Sleeve Clutch	1	
7	100050122	CB250离合器弹簧	SPRING, Clutch	6	
8	100103373	CG200D-B离合器端盖	End Cover Clutch	1	
9	100100429-0003	CG150D离合器法兰盘螺栓M5×20(兰白锌)	Bolt, M5×20	6	
10	100103436	CB125脚离合器推杆	Pushing Rod Clutch	1	
11	100010690	轴承(16003)	BEARING (16003)	1	
12	100100601	CG125D离合器挡圈(φ20)	ELASTIC CHECK RING	1	
13	100202857	CG200-A水冷离合器总成(3#_CB机构70齿6柱7片_无轴承)	Clutch Assy	1	

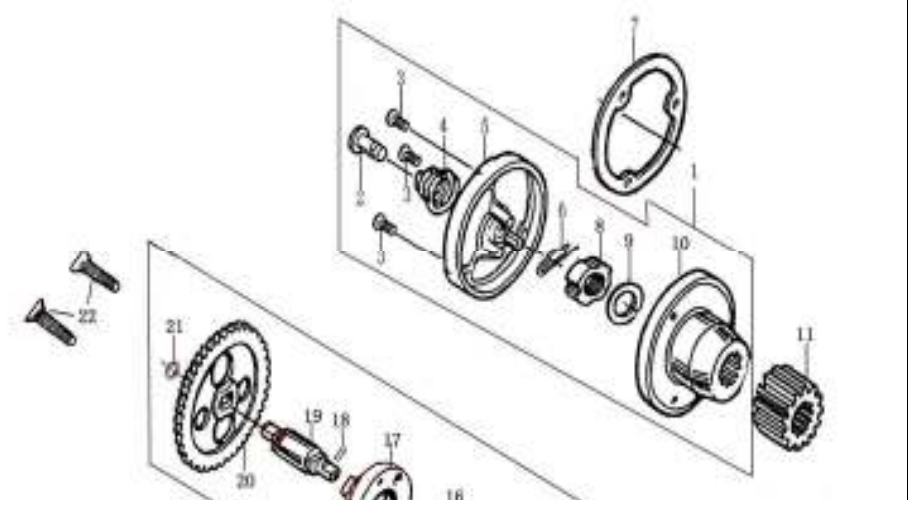


14					
15					
16					
17					
18					
19					
20					
21					
22					
23					
24					
25					
26					
27					
28					
29					
30					
31					
32					
33					
34					
35					
36					
37					
38					
39					
40					

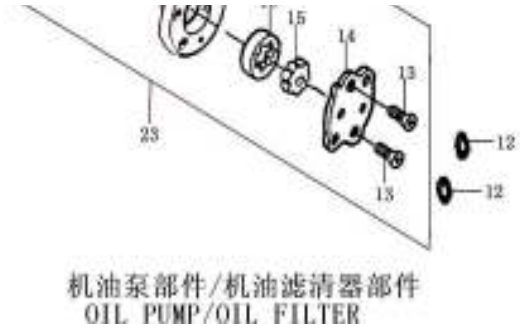


### 机油泵部件/机油滤清器部件 OIL PUMP/OIL FILTER

序号 NO.	编码 (PART CODE)	中文名称 (CHINESE DESCRIPTION)	英文名称 ( ENGLISH DESCRIPTION )	数量Q TY	备注RE MARK
1	100200006	SB125机油滤清器部件(2#)	Oil Filter Comp	1	
2	100104843	CB125脚机油滤清器出油管	OIL PIPE	1	
3	100010969-0001	GB819.1螺钉M5×12(兰白锌)	SCREW M5×12	3	
4	100104844	CB125脚机油滤清器出油管弹簧	SPRING, OIL PIPE	1	
5	100104849-0001	SB125机油滤清器盖(抛丸钝化)	OIL FILTER COVER	1	
6	100104850	CB125脚机油滤清器开口销	OPEN PIN	1	
7	100104600	SB125滤清器端盖密封垫	Gasket Oil Filter	1	
8	100100524	SB125机油滤清器螺母	NUT	1	
9	100103345	CB125脚离合器碟形垫圈(16.5×2×27)	DISH WASHER, CLUTCH	1	
10	100200018	SB125机油滤清器转子组件(2#)	OIL FILTER BODY	1	
11	100103485	CB125脚主动齿(21齿)	PRIMARY DRIVE GEAR	1	
12	100107842	O型圈(φ9.4×2.4 丁腈胶)	O-RING φ9.4×2.4	2	
13	100010946-0003	GB818螺钉M4×10(兰白锌)	SCREW M4×10	2	
14	100204759	CB200机油泵盖板(电感式)	OIL PUMP COVER	1	
15	100204771	CB200机油泵内转子(电感式)	INNER ROTOR, OIL PUMP	1	
16	100204777	CB200机油泵外转子	OUTER ROTOR, OIL PUMP	1	
17	100204767	CB200机油泵体(电感式)	OIL PUMP BODY	1	
18	100032890	GB119.2圆柱销φ2.5×10	PIN φ2.5×10	1	
19	100204754	CB200机油泵油泵轴(电感式)	SHAFT, OIL PUMP	1	

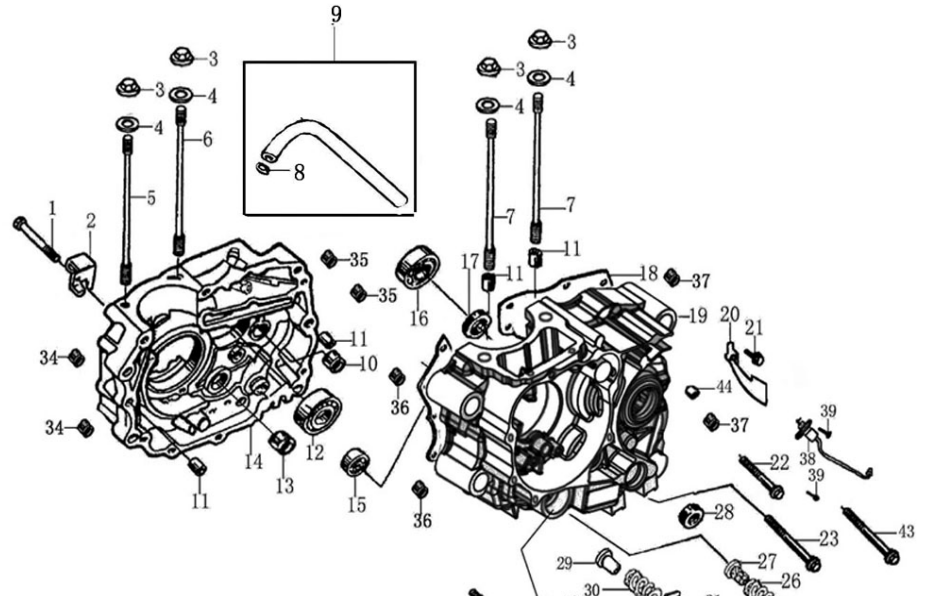


20	100100135	CB200机油泵齿轮(电感式 m=1.75 z=37)	GEAR, OIL PUMP	1	
21	100011111	GB896挡圈6	CIRCLIP 6	1	
22	100010974-0001	GB819.1螺钉M6×30(兰白锌)	SCREW M6×30	2	
23	100100061	CB200机油泵部件(37齿 电感式)	OIL PUMP ASSY	1	
24					
25					
26					
27					
28					
29					
30					
31					
32					
33					
34					
35					
36					
37					
38					
39					
40					



## 曲轴箱 CRANKCASE

序号 NO.	编码 (PART CODE)	中文名称 (CHINESE DESCRIPTION)	英文名称 ( ENGLISH DESCRIPTION )	数量Q TY	备注RE MARK
1	100011543-0001	GB16674小盘螺栓M6×65(兰白锌)	BOLT M6×65	1	
2	100203093-0005	CG125D离合器钢索支架(3# 兰白锌)	HOLDER, CLIUTCH CABLE	1	
3	100100508-0007	CB125脚缸头盖盖形螺母M8(兰白锌)	NUT M8	4	
4	100106576	平垫圈(Φ8.5×2×Φ18)	WASHER 8.5×2×18	4	
5	100204636	CB180D气缸双头螺栓A(2# 225mm)	Cylinder Stud Bolt A	1	
6	100100256	CB180D气缸双头螺栓A(225mm)	Cylinder Stud Bolt A	1	
7	100100311	CB200气缸双头螺栓B(2# 229mm)	Cylinder Stud Bolt B	2	
8	100105484	CG125D废气管环管 I 卡箍	CLAMP	2	
9	100102977	CG125D通气管组件(1# 复合层材料_卡箍1个)	PIPE ASSY	1	
10	100101073	轴承(NK15×27×12_滚针)	BEARING (NK15×27×12)	1	
11	100010557	定位销Φ10×14	PIN 10×14	4	
12	100010672	轴承(6006)	BEARING (6006)	1	
13	100101062	轴承(HK21×28×10_滚针)	BEARING (HK21×28×10)	1	
14	100066535-0002	CB250-F右曲轴箱组合(8805)	RIGHT CRANKCASE BLOCK	1	
15	100101026	轴承(TM6202Z)	BEARING (TM6202Z)	1	
16	100100951	轴承(6204_C3)	BEARING (6204)	1	
17	100104700	CB125脚副轴油封(20×34×7_丁腈胶)	OIL SEAL 20×34×7	1	
18	100066537	CB250-F曲轴箱密封垫	GASKET, CRANKCASE	1	
19	100066536-0002	CB250-F左曲轴箱组合(8805)	LEFT CRANKCASE BLOCK	1	
20	100102900	CB125脚挡线片(2#)	POSITION PLATE	1	
21	100055591-0006	GB16674小盘螺栓M6×12(兰白锌)	BOLT M6×12	1	
22	100011540-0007	GB16674小盘螺栓M6×50(兰白锌)	BOLT M6×50	7	
23	100011545-0001	GB16674小盘螺栓M6×100(兰白锌)	BOLT M6×100	1	
24	100102871-0002	CB125脚气门室盖(抛丸钝化)	COVER, VALVE CHAMBER	1	
25	100107766	O型圈(Φ35×3_氟硅胶)	O-RING 35×3	1	



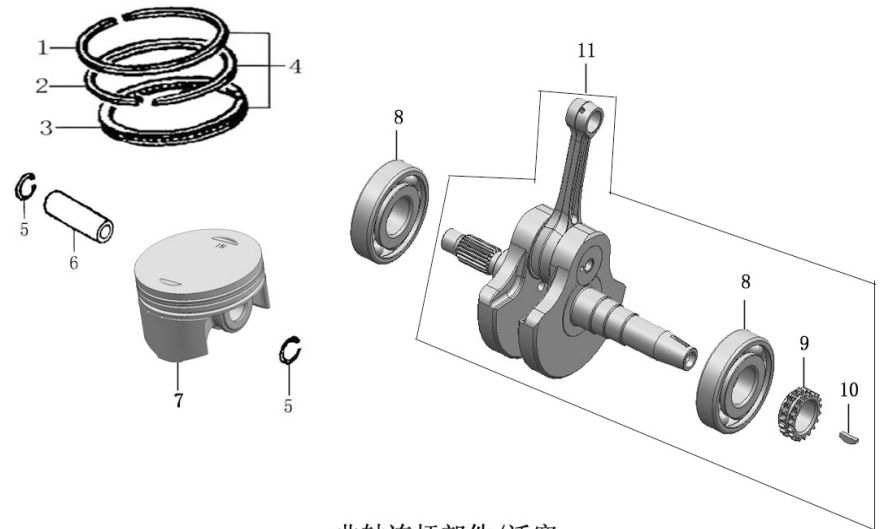
26	100104866	CB125脚机油过滤网弹簧	SPRING, OIL FILTER STRAINER	1	
27	100104943	CB125脚机油过滤网组合	STRAINER, OIL FILTER	1	
28	100104650	CB125脚换挡臂油封(14×28×7_丁腈胶)	OIL-SEAL 14×28×7	1	
29	100103000	CB250水冷压销体顶销	PRESSING PIN BODY UPPER PIN	1	
30	100206029	CB250水冷压销体弹簧	PRESSING PIN BODY SPRING	1	
31	100202748	CB250水冷链条护板组合	ASSEMBLY, CHAIN PROTECT PLATE	1	
32	100011173-0003	GB5783螺栓M6×16(兰白锌)	BOLT M6×16	2	
33	100107409	CG200-A水冷右体前挂机减震套	ABSORBER SLEEVE	2	
34	100107406	CG200-A水冷右体后挂机减震套	ABSORBER SLEEVE	2	
35	100107516	SB250海啸倒档左体前挂机减震套	ABSORBER SLEEVE	2	
36	100107515	SB250海啸倒档左体后挂机减震套	ABSORBER SLEEVE	2	
37	100208372-0002	CG125D档显线束(3#_双支耳_五档国际_接口D01_L:450)	GEARSHIFT SWITCH COMP	1	
38	100100472	摩擦保护CG150D倒档档显螺钉组合	SCREW	2	
39	100106548	平垫圈(Φ12.1×2×Φ20)	WASHER 12.1×2×20	1	
40	100100331-0006	CG125D放油螺塞(兰白锌)	OIL DRAIN PLUG	1	
41	100011542-0001	GB16674小盘螺栓M6×60(兰白锌)	BOLT M6×60	1	
42	100031959-0007	GB16674小盘螺栓M6×70(兰白锌)	BOLT M6×70	1	
43	100101202	CG125D含油轴承(铁基)	BEARING	1	
44					
45					



曲轴箱 CRANKCASE

曲轴连杆部件/活塞 CRANKSHAFT CONNECTING-ROD ASSY/PISTON

序号 NO.	编码 (PART CODE)	中文名称 (CHINESE DESCRIPTION)	英文名称 (ENGLISH DESCRIPTION)	数量 QTY	备注 REMARK
1	100107432	CPS250活塞环一	Piston Ring, 1	1	
2	100077402	CPS250活塞环二(镀铬)	Piston Ring, 2	1	
3	100077401	CPS250油环组合(PVD)	Oil Ring, Assy	1	
4	100077394	CPS250活塞环总成(双PVD_二环镀铬)	Piston Ring, Comp	1	
5	100100590	NC250活塞销挡圈	Check Ring Piston Pin	2	
6	100101541	CPS250活塞销	Pin, Piston	1	
7	100055160	CPS250活塞(顶部微弧氧化_裙部二硫化钼)	Piston	1	
8	100066540	轴承(TM63/28X1E2/P5)	BeaRing, (TM63/28X1E2/P5)	2	
9	100101986	正时主动链轮	Timing Gear	1	
10	100100643	CG125D半圆键(25×14×4)	Semicircular Key	1	
11	100066539	CB250-F曲轴连杆部件(立多禄KU_无右轴承)	Crankshaft Connecting-Rod Assy	1	
12					
13					
14					
15					
16					
17					
18					
19					
20					
21					
22					
23					
24					
25					
26					

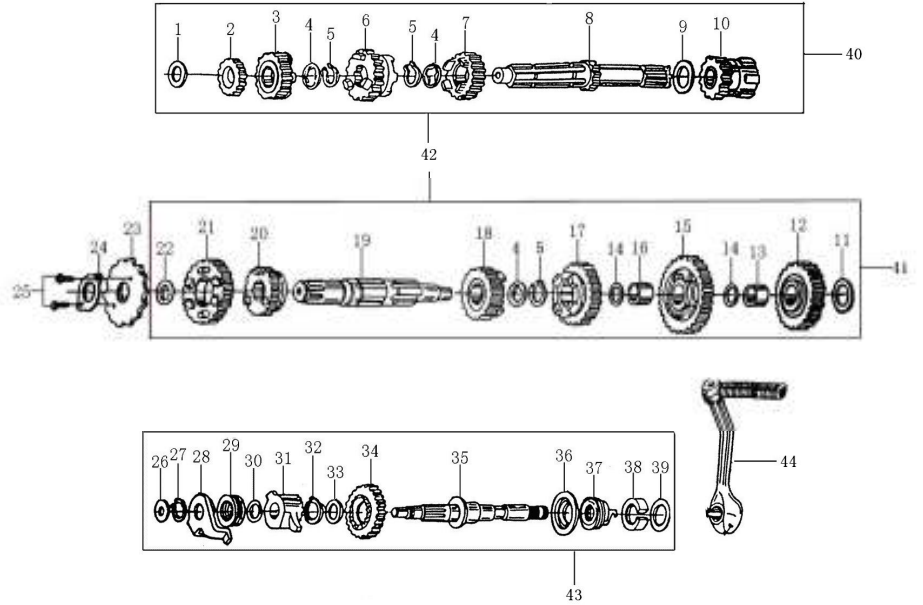


曲轴连杆部件/活塞  
CRANKSHAFT CONNECTING-ROD ASSY/PISTON

27					
28					
29					
30					
31					
32					
33					
34					
35					
36					
37					
38					
39					
40					

## 传动机构 TRANSMISSION MECHANISM

序号 NO.	编码 (PART CODE)	中文名称 (CHINESE DESCRIPTION)	英文名称 (ENGLISH DESCRIPTION)	数量 QTY	备注 REMARK
1	100106510	平垫圈 (Φ 15.2×1×Φ 25 工具钢)	WASHER 15.2×1×25	1	
2	100103627	CG200-A水冷主轴2档齿轮	GEAR M-2	1	
3	100103630	CG200-A水冷主轴5档齿轮	GEAR M-5	1	
4	100103647	CB125脚齿轮隔圈 (17.3(20)×1.6×26)	WASHER	3	
5	100100596	70启动轴挡圈 (Φ 18.5×1.2×Φ 22.1)	CIRCLI Φ 18.5×1.2×Φ 22.1	3	
6	100103629	CG200-A水冷主轴4档齿轮	GEAR M-4	1	
7	100103628	CG200-A水冷主轴3档齿轮	GEAR M-3	1	
8	100052667	CG200-A水冷主轴芯轴	TRANSMISSION MAIN SHAFT	1	
9	100106525	平垫圈 (Φ 20.2×0.5×Φ 27)	WASHER 20.2×0.5×27	1	
10	100103664	CG125D主轴启动齿轮组合	FINAL SHAFT	1	
11	100106511	平垫圈 (Φ 15.2×1×Φ 30)	WASHER 15.2×1×30	1	
12	100103778	CG125D副轴启动过桥齿轮	GEAR	1	
13	100103565	CG125D副轴启动齿轮衬套	GEAR BUSH	1	
14	100106434	平垫圈 (Φ 16.5×0.5×Φ 24)	WASHER 16.5×0.5×24	2	
15	100103743	SB250海啸副轴1档齿轮	GEAR C-1	1	
16	100203405	CB125脚副轴1档齿轮衬套	GEAR BUSH	1	
17	100103741	CG200-A水冷副轴3档齿轮 (2#)	GEAR C-3	1	
18	100103739	CG200-A水冷副轴4档齿轮	GEAR C-4	1	
19	100103689	CG125D五档副轴芯轴 (1#)	TRANSMISSION COUNTER SHAFT	1	
20	100103740	CG200-A水冷副轴5档齿轮	GEAR C-5	1	
21	100103737	CG200-A水冷副轴2档齿轮	GEAR C-2	1	
22	100106460	平垫圈 (Φ 20×1×Φ 27)	WASHER 20×1×27	1	
23	100103810	CG125D主动链轮 (428.15)	DRIVE SPROCKET	1	
24	100103850	CB125脚主动链轮固定板	FIXING PLATE, DRIVE SPROCKET	1	
25	100031911-0004	GB5783螺栓M6×10 (兰白锌)	BOLT M6×10	2	
26	100106396	平垫圈 (Φ 12.1×1×Φ 18)	WASHER 12.1×1×18	1	
27	100011098	GB894.1挡圈16 (轴径16 内径14.7)	CIRCLIP 16	1	
28	100105793	CG125D棘轮导板组合	GUIDE PLATE ASS.	1	
29	100105788	CG125D启动棘轮弹簧	SPRING, KICK STARTING RATCHET WHEEL	1	
30	100106425	平垫圈 (Φ 16.1×1×Φ 24 弹簧钢)	WASHER 16.1×1×24	1	
31	100105783	CG125D启动棘轮	STARTING RATCHET	1	
32	100100598	CG125D启动轴弹性挡圈 (Φ 18.5×1.2×Φ 22.4)	CIRCLI Φ 18.5×1.2×Φ 22.4	1	

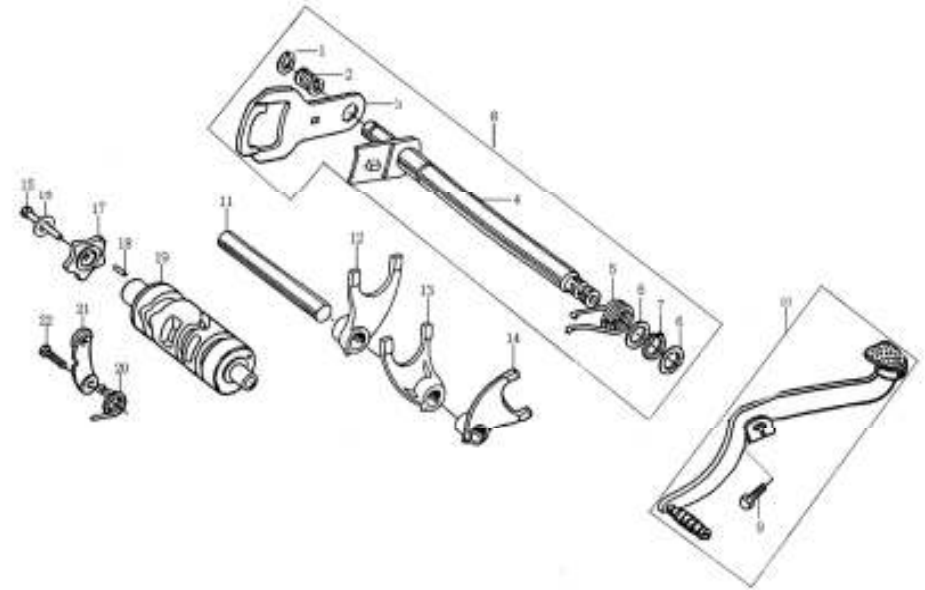


传动机构  
TRANSMISSION MECHANISM

33	100106522	平垫圈(Φ20×0.5×Φ27 工具钢)	WASHER 20×0.5×27	1	
34	100102487	CG125D启动齿轮(螺旋型)	GEAR, KICK STARTER	1	
35	100105753-0001	CG125D启动轴芯轴(油封光杆L:60 兰白锌)	PIVOT, KICK STARTING SHAFT	1	
36	100105740	CG125D启动轴弹簧座	SEAT, SPRING, KICK STARTING SHAFT	1	
37	100105746	CG125D启动轴复位弹簧	RETURN SPRING, KICK STARTING SHAFT	1	
38	100105763	CG125D启动轴轴环	COLLAPSIBLE	1	
39	100106426	平垫圈(Φ16.1×1×Φ30)	WASHER 16.1×1×30	1	
40	100066761	CG200-A水冷主轴组合(4#)	MAIN SHAFT, TRANSMISSION	1	
41	100203556	CG200-A水冷副轴组合(1#)	COUNTERSHAFT TRANSMISSION	1	
42	100066762	CG200-A水冷主副轴组合(22#_147_带滚针轴承)	TRANSMISSION MAIN, COUNTER SHAFT	1	
43	100201863	CG125D启动轴总成(油封光杆L:60 螺旋型 兰白锌)	KICK STARTING SHAFT ASSEMBLY	1	
44	100303403	CG125D启动杆部件(QD-9) 白铬	START-UP BAR COMP	1	
45					

## 变速机构 GEARSHIFT MECHANISM

序号 NO.	编码 (PART CODE)	中文名称 (CHINESE DESCRIPTION)	英文名称 (ENGLISH DESCRIPTION)	数量 QTY	备注 REMARK
1	100011095	GB894.1挡圈12(轴径12_内径11)	CIRCLIP 12	1	
2	100103977	CB125脚换挡板弹簧	SPRING, GEARSHIFT PLATE	1	
3	100103999	CG125D换挡板(五档循环档)	GEARSHIFT PLATE	1	
4	100203918-0004	CG200-A水冷换挡轴组合(五档国际档_彩锌)	GEARSHIFT SHAFT COMP	1	
5	100203926	CG125D换挡回位弹簧	RETURN SPRING	1	
6	100106402	平垫圈(Φ14×0.5×Φ20)	WASHER 14×0.5×20	2	
7	100011096	GB894.1挡圈14(轴径14_内径12.9)	CIRCLIP 14	1	
8	100050303-0001	CG200-A水冷换挡臂部件(五档国际档_彩锌)	GEARSHIFT LEVER COMP	1	
9	100011174-0006	GB5783螺栓M6×20(白铬)	BOLT M6×20	1	
10	100204027	CG125D变速踏板部件(BT-16) 白铬	GEARSHIFT SHAFT	1	
11	100103914	CB125脚拨叉轴	SHAFT, GEARSHIFT FORK	1	
12	100103895	CB125脚副轴右拨叉	RIGHT FORK, COUNTERSHAFT	1	
13	100103904	CB125脚主轴拨叉	CENTER FORK, MAINSHAFT	1	
14	100103899	CB125脚副轴左拨叉	LEFT FORK, COUNTERSHAFT	1	
15	100100420-0002	CG125D五星板紧固螺栓(兰白锌)	BOLT M6×25	1	
16	100010886-0005	GB93弹垫Φ6(白锌)	WASHER Φ6	1	
17	100103943	CB125脚五星板(五档国际档)	STOPPING PLATE	1	
18	100032886	GB119.1圆柱销Φ4×10	PIN 4×10	1	
19	100203840	CG200-A水冷联合变速鼓(五档国际档_档显_含动触头)	GEARSHIFT DRUM	1	
20	100052781	CB125脚定位板弹簧(5#)	SPRING, LOCATING PLATE	1	
21	100059046	CG125D定位板组合(短压板四/五档国际档及四档非循环档_轴套结构)	LOCATING PLATE ASSY	1	
22	100011174-0004	GB5783螺栓M6×20(兰白锌)	BOLT M6×20	1	
23					
24					
25					
26					
27					
28					
29					
30					
31					
32					
33					



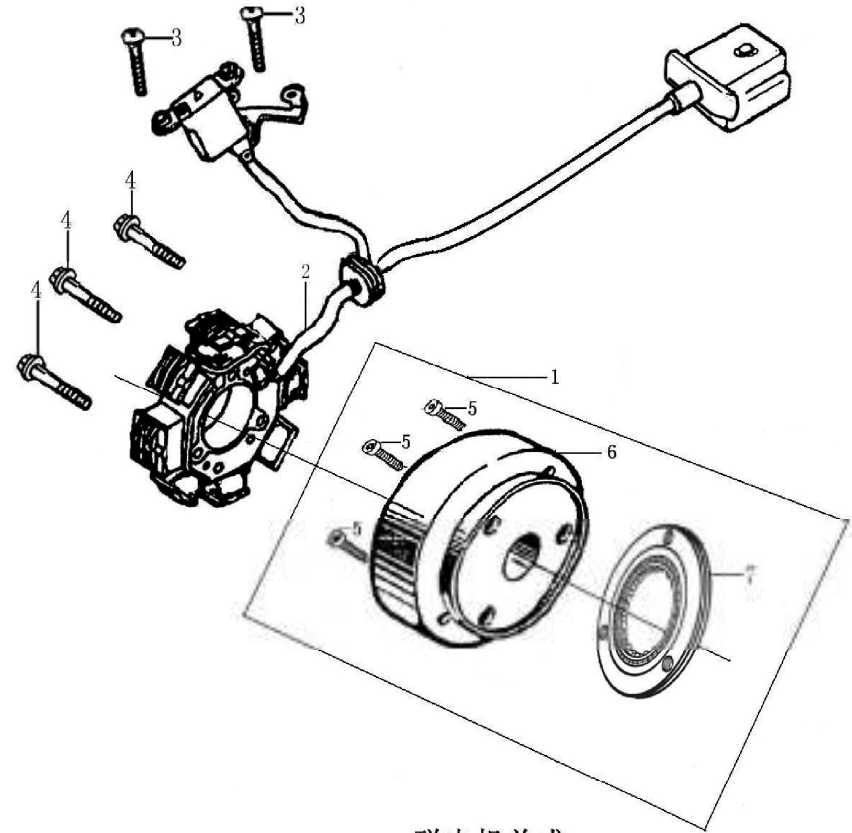
变速机构 GEARSHIFT MECHANISM



34					
35					
36					
37					
38					
39					
40					

### 磁电机总成 MAGNETO COMP

序号 NO.	编码 (PART CODE)	中文名称 (CHINESE DESCRIPTION)	英文名称 (ENGLISH DESCRIPTION)	数量 QTY	备注 REMARK
1	82130-1008-0104	CG125D磁电机转子组合(12V8极 带模块式超越离合器)	ROTOR ASSY, MAGNETO	1	
2	82120-1008-020043	CG125D磁电机定子组合[(12V8极全波交流大盒) L1:430]接口21	STATOR ASSY, MAGNETO	1	
3	B057830005001620X	GB5783螺栓M5×16(兰白锌)	BOLT M5×16	2	
4	B057830005002520X	GB5783螺栓M5×25(兰白锌)	BOLT M5×25	3	
5	91197-1008-00000C	CG125D超越离合器紧固螺钉M8×18(彩锌)	BOLT M8×18	3	
6	82130-1008-0101	CG125D磁电机转子组合(12V8极 不带超越离合器)	ROTOR ASSY, MAGNETO	1	
7	21300-LA73-0000	CG200-A水冷超越离合器部件(模块式)	ASSEMBLY, OVERRUNNING CLUTCH	1	
8					
9					
10					
11					
12					
13					
14					
15					
16					
17					
18					
19					
20					
21					
22					
23					
24					
25					
26					
27					
28					
29					
30					
31					
32					
33					
34					
35					
36					
37					

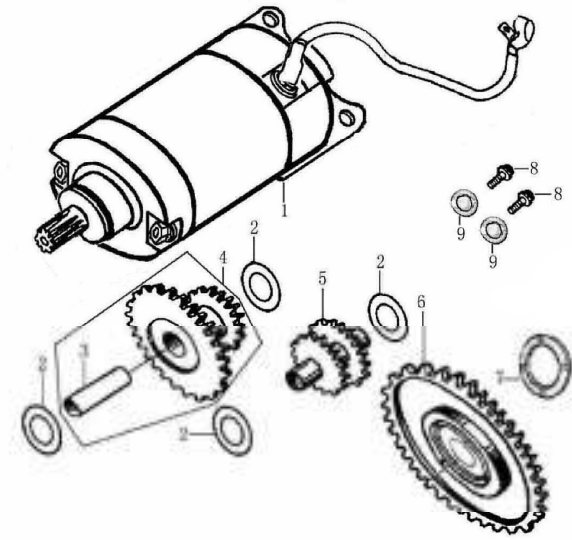


磁电机总成  
MAGNETO COMP

38					
39					
40					

### 电启动机构 ELECTRIC STARTING MECHANISM

序号 NO.	编码 (PART CODE)	中文名称 (CHINESE DESCRIPTION)	英文名称 ( ENGLISH DESCRIPTION)	数量Q TY	备注REM ARK
1	100104261-0011	CB250-G水冷启动电机(单线_圆形_510_8805)	STARTING MOTOR ASSY	1	
2	93301-51050518000	平垫圈 $\phi 10.5 \times 0.5 \times \phi 18$	WASHER 10.5×0.5×18	4	
3	21402-1008-0100	CG125D-2#双联齿轮轴	SHAFT, REDUCTION	1	
4	100202662	SB250海嘴双联齿轮组合一(2#)	GEAR, REDUCTION, 1	1	
5	21401-ME13-0000	SB250海嘴双联齿轮(二)	GEAR, REDUCTION, 2	1	
6	100103269	CB250水冷四气门启动大齿轮组合	PLATE GEAR ASSY	1	
7	21319-LE26-0000	CBB200盘形齿垫圈 $\phi 22 \times 9.5 \times \phi 34$	WASHER 22×9.5×34	1	
8	B057890006002870X	GB5789螺栓M6×28(兰白锌)	BOLT M6×28	2	
9	82202-1E20-0000	CBB133电机安装座圈5.9	WASHER	2	
10					
11					
12					
13					
14					
15					
16					
17					
18					
19					
20					
21					
22					
23					
24					
25					
26					
27					
28					
29					
30					
31					
32					
33					
34					
35					
36					
37					
38					
39					
40					

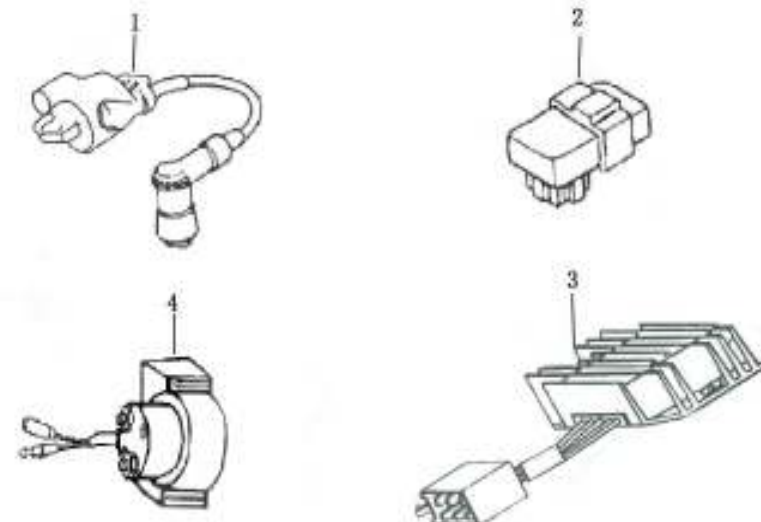


电启动机构  
ELECTRIC STARTING MECHANISM

### 电器件 ELECTRIC

序号 NO.	编码 (PART CODE)	中文名称 (CHINESE DESCRIPTION)	英文名称 ( ENGLISH DESCRIPTION)	数量Q TY	备注REM ARK
-----------	----------------	----------------------------	-----------------------------	-----------	--------------

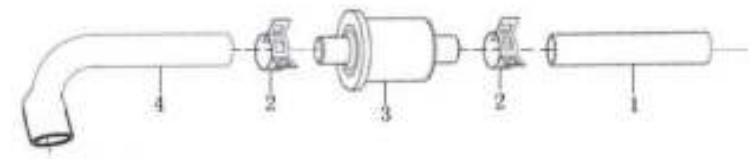
1	81100-1008-000050	高压包 (MG03B)L:500	IGNITION COIL	1	
2	81200-ME05-0000	CB250D-G点火器 (CDI-ZSE05-000)	C. D. I	1	
3	83100-1008-010020	整流调压器 (MT12V8-ZS05B)	RECTIFIER	1	
4	82290-1049-000016	继电器 (MQJ10-ZS01A)	RELAY	1	
5					
6					
7					
8					
9					
10					
11					
12					
13					
14					
15					
16					
17					
18					
19					
20					
21					
22					
23					
24					
25					
26					
27					
28					
29					
30					
31					
32					
33					
34					
35					
36					
37					
38					
39					
40					
41					



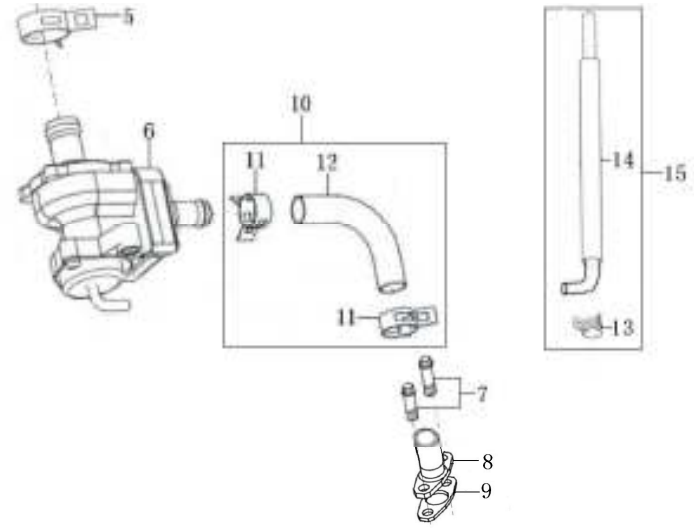
电 器 件 ELECTRIC

废气再循环系统 EXHAUST GAS RECIRCULATION SYSTEM

序号 NO.	编码 (PART CODE)	中文名称 (CHINESE DESCRIPTION)	英文名称 ( ENGLISH DESCRIPTION)	数量 QTY	备注 REMARK
1	100105392	CG125D二次空滤器连接胶管 II (14×9×400)	Connecting Pipe	1	
2	100105407	CG125D二次空滤器连接胶管卡圈 (14)	Hoop	2	
3	100202348-0002	CG125D二次空滤器部件	Sec. Air Box Valve	1	
4	100101029	CG125D二次空滤器连接胶管 I (14×9×230 (35))	Connecting Pipe	1	
5	100105404	CG125D二次空滤器连接胶管卡圈 (15. 3)	Hoop	1	



6	100103126-1365	CG125D空气泵(带防尘胶套)	Gas Pump	1
7	100055589-0006	GB16674小盘螺栓M6×16(兰白锌)	Bolt, M6×16	2
8	100062382	CB133废气循环铁管组合(电泳黑)	Iron Pipe	1
9	100104640	CB133废气循环铁管纸垫	Paper Gasket	1
10	100202024-0124	CG125D废气循环橡胶管组件 I (Φ15×Φ9×50×50)	Rubber Pipe	1
11	100204846-1516	CG125D废气循环管 I 卡箍	Clamp	2
12	100103126-1347	CG125D废气循环橡胶管 I (Φ15×Φ9×50×50)	Rubber Pipe	1
13	100202024-0139	CG125D废气循环管 II 卡箍	Clamp	1
14	100105474	CG125D废气循环橡胶管 II (7# Φ9×Φ4×270×40)	Rubber Pipe	1
15	100202024-0129	CG125D废气循环橡胶管组件 II (7# Φ9×Φ4×270×40)	Rubber Pipe	1
16				
17				
18				
19				
20				
21				
27				
28				
29				
30				
31				
32				
33				
34				
35				
36				
37				
38				
39				
40				



环保装置  
ENVIRONMENT PROTECT MECHANISM